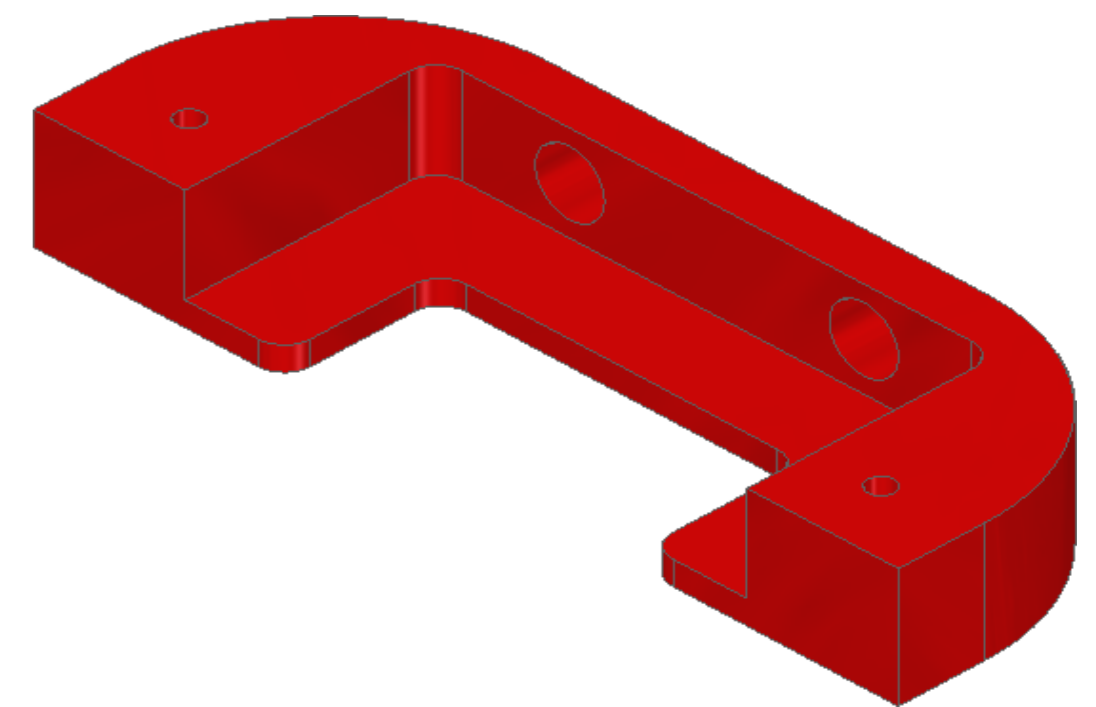
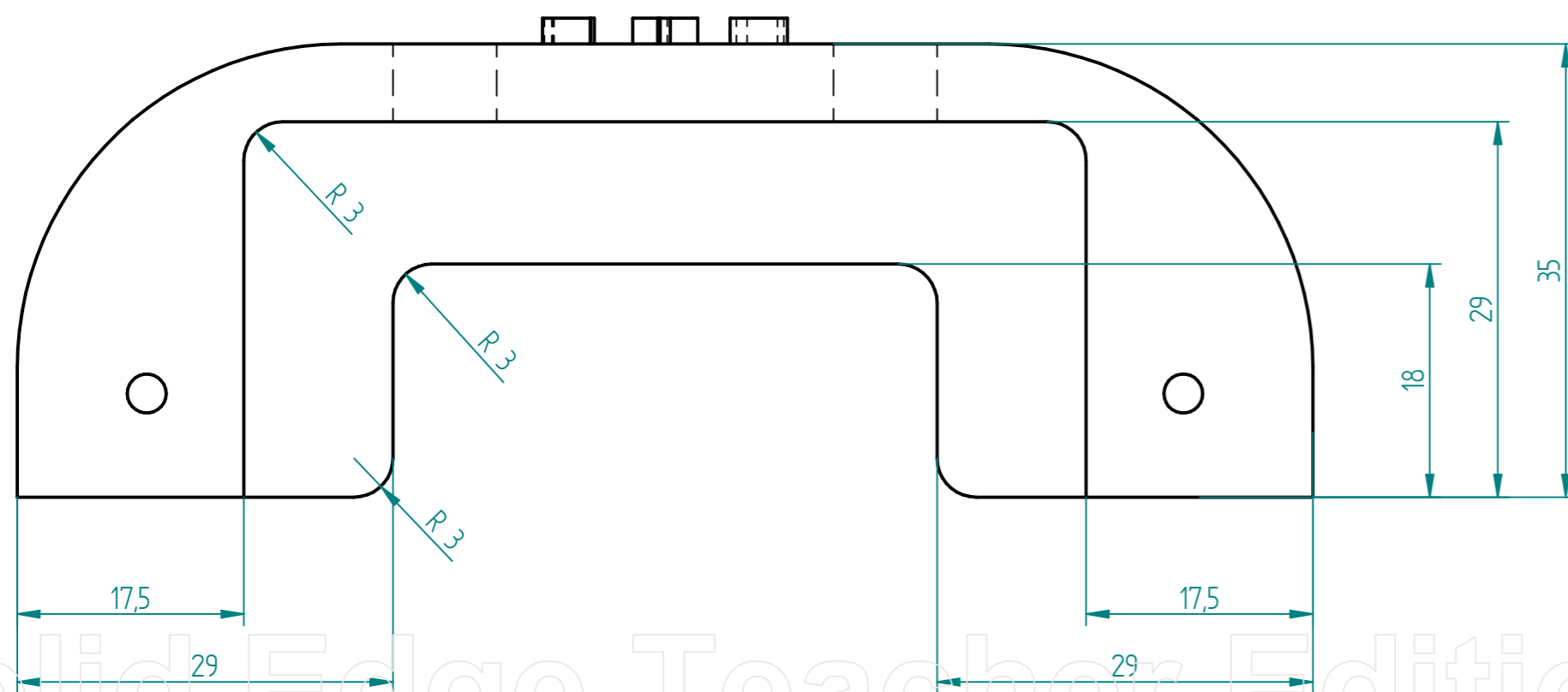
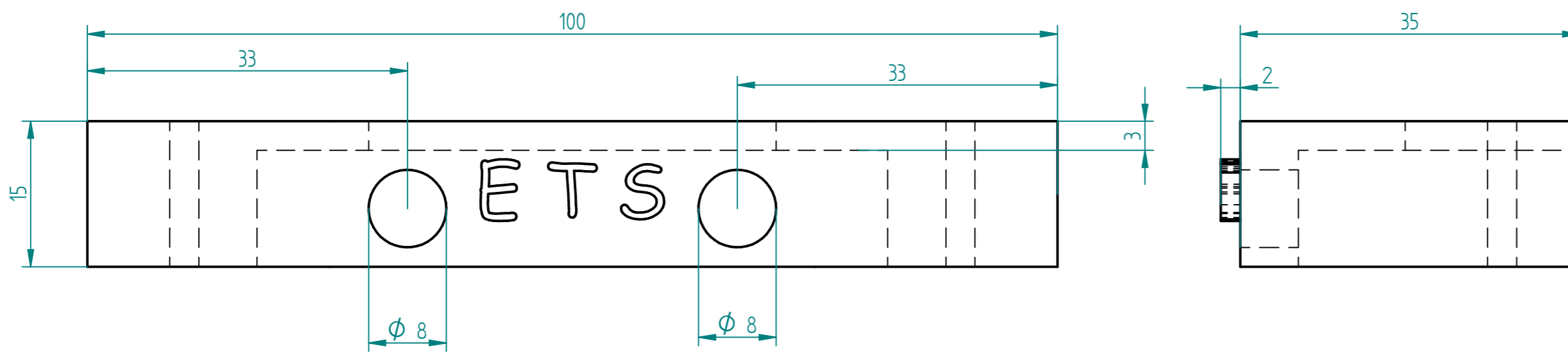
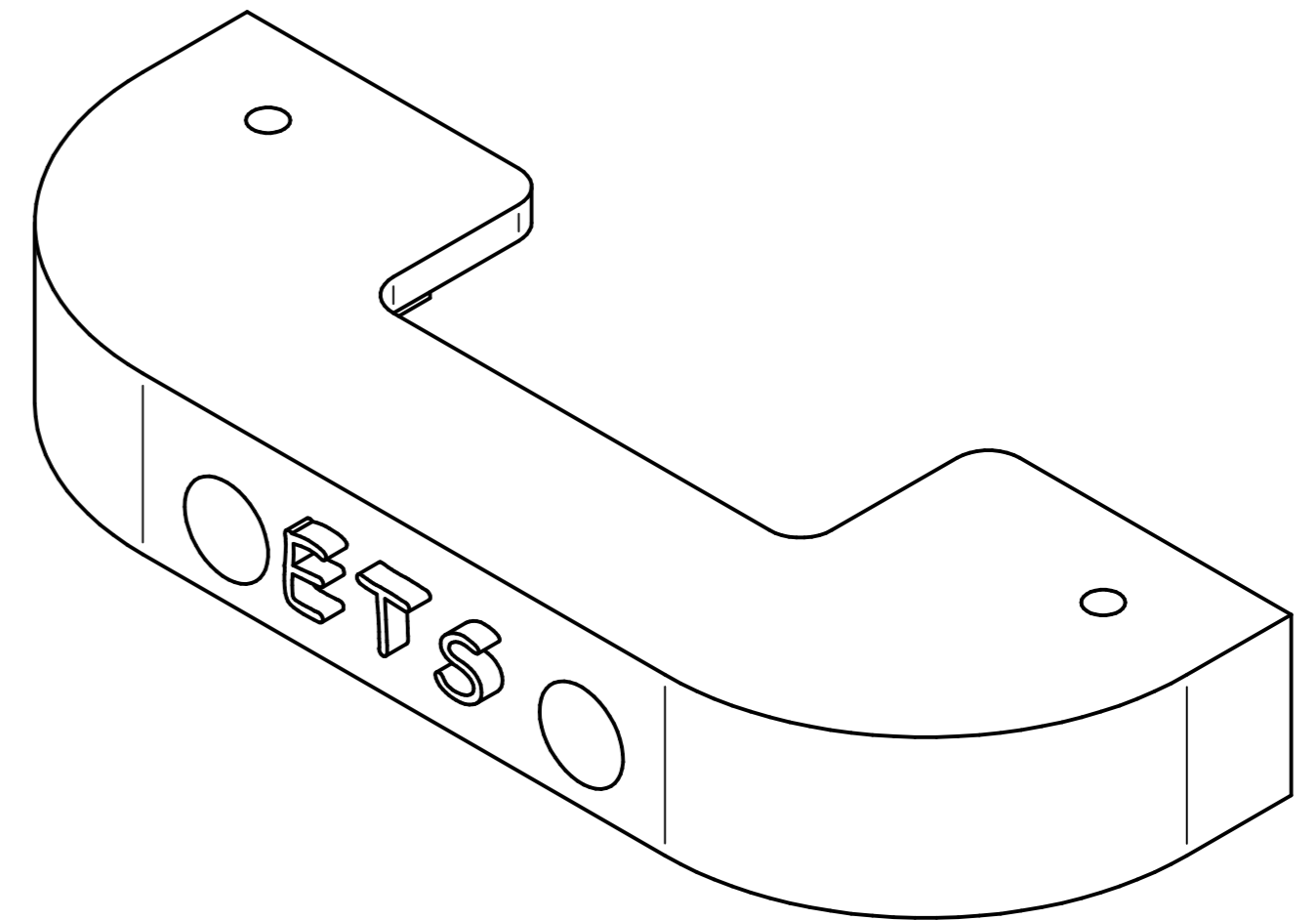
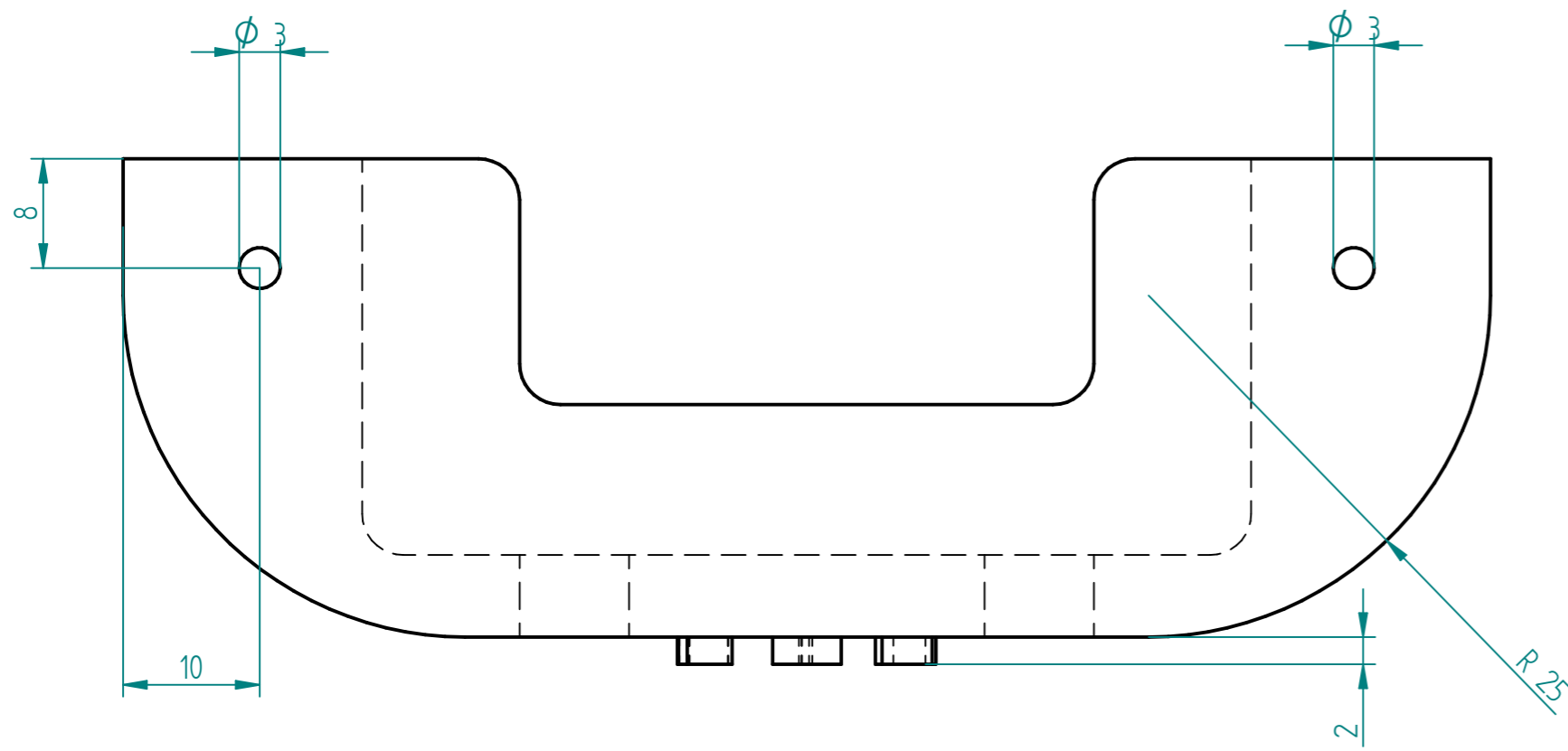


REVISION HISTORY			
REV	DESCRIPTION	DATE	APPROVED



Solid Edge Teacher Edition

	NAME	DATE	Solid Edge	
DRAWN	BOA MSII	02/03/26	TITLE	
CHECKED				
ENG APPR				
MGR APPR				
UNLESS OTHERWISE SPECIFIED DIMENSIONS ARE IN MILLIMETERS ANGLES ±XX° 2 PL ±XXX 3 PL ±XXXX			SIZE A2	DWG NO 
			FILE NAME: Bumper Led 8 mm voor 01.dft	REV 
			SCALE:	WEIGHT:
			SHEET 1 OF 1	